



# Cat<sup>®</sup> 260

## SKID STEER LOADER

### FEATURES:

The Cat<sup>®</sup> 260 Skid Steer Loader, with its vertical lift design, delivers extended reach and lift height for quick and easy truck loading. Its stability and lifting performance provides excellent material handling. The 260 features the following:

- **Redesigned Operator Station** delivers a larger operating environment and combined with additional seat travel, the 260 provides more space for operators of any size. The optional one-piece, sealed, and pressurized cab offers a clean and quiet workspace with excellent air distribution through optimally placed vents throughout the cab.
- **Available ventilated and heated high-back air ride seat** with seat-mounted adjustable joystick controls deliver industry-leading operator comfort.
- **High performance power train** provides maximum performance and production capability through the Electronic Torque Management system, optional two speed travel and an electronic hand/foot throttle with decel pedal capability.
- **Three levels of auxiliary hydraulic performance** available, **Standard Flow**, **High Flow**, and **High Flow XPS**. Standard flow for attachments that require a base level of auxiliary flow and horsepower, High Flow boosts the auxiliary flow for applications that demand additional hydraulic flow for increased attachment performance, and the High Flow XPS hydraulic system provides maximum auxiliary hydraulic performance by delivering additional flow and additional pressure for the most demanding attachments and applications.
- **Electronically controlled Cat C2.8T engine** meets U.S. EPA Tier 4 Final and EU Stage V emission standards while delivering maximum horsepower across a wide RPM range and providing high torque for increased working performance, no matter the application.
- **Speed sensitive ride control option** improves operation on rough terrain, enabling better load retention, increased productivity, and greater operator comfort.
- **Maximize machine capability and control** with the Advanced Joysticks and Advanced Touchscreen Monitor. The **20.3 cm (8-inch)** Advanced Touchscreen monitor offers cutting-edge functionality and control that includes an integrated radio, Bluetooth<sup>®</sup> connectivity, and multi-camera (side-view) option, and supports 32 different language choices. The **Advanced Joysticks** provide unmatched control of machine functions and adjustments within the display without the operator having to remove their hands from the controls. This includes on-joystick navigation of the Advanced Touchscreen Monitor, radio volume up/down/mute, creep activation, creep speed increment/decrement, one-button Smart Attachment control activation, and additional auxiliary control buttons that deliver single button control of complex attachment functions.
- **Ground-level access** to all daily service and routine maintenance points helps reduce machine downtime for greater productivity.
- **Broad range of performance matched Cat Attachments** make the Cat Skid Steer Loader the most versatile machine on the job site.

## Specifications

### Engine

Engine Model	Cat C2.8T (turbo)	
Gross Power SAE J1995	55 kW	74 hp
Net Power SAE 1349	55 kW	74 hp
Net Power ISO 9249	55 kW	73 hp
Peak Torque at 1,600 rpm SAE J1995	300 N-m	221 lbf-ft
Displacement	2.8 L	171 in <sup>3</sup>
Stroke	110 mm	4.3 in
Bore	90 mm	3.5 in

- Advertised power is tested per the specified standard in effect at the time of manufacture.

### Weights\*

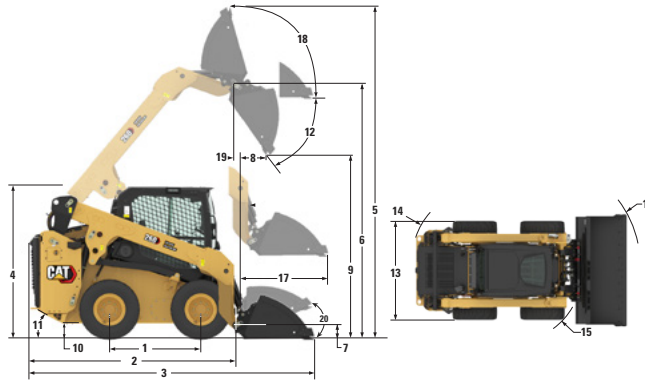
Operating Weight	3866 kg	8,523 lb
------------------	---------	----------

### Operating Specifications\*

Rated Operating Capacity (ROC):		
50% Tipping Load	1434 kg	3,160 lb
Rated Operating Capacity with Optional Counterweights (@50%)	1540 kg	3,388 lb
Tipping Load	2867 kg	6,321 lb
Breakout Force, Tilt Cylinder	4251 kg	9,372 lb
Breakout Force, Lift Cylinder	3121 kg	6,881 lb



# 260 Skid Steer Loader



## Dimensions\*

<b>1</b> Wheelbase	1249 mm	49.2 in	<b>11</b> Departure Angle	23°
<b>2</b> Length without Bucket	2956 mm	116.4 in	<b>12</b> Maximum Dump Angle	46°
<b>3</b> Length with Bucket on Ground	3575 mm	140.7 in	<b>13</b> Vehicle Width over Tires (66" Tire AR)	1690 mm 66.5 in
<b>4</b> Height to Top of Cab	2100 mm	82.7 in	<b>14</b> Turning Radius from Center – Machine Rear	1823 mm 71.8 in
<b>5</b> Maximum Overall Height	4160 mm	164.2 in	<b>15</b> Turning Radius from Center – Coupler	1367 mm 53.8 in
<b>6</b> Bucket Pin Height at Maximum Lift	3365 mm	132.5 in	<b>16</b> Turning Radius from Center – Bucket	2102 mm 82.7 in
<b>7</b> Bucket Pin Height at Carry Position	203 mm	8.0 in	<b>17</b> Maximum Reach with Arms Parallel to Ground	1120 mm 44.1 in
<b>8</b> Reach at Maximum Lift and Dump	552 mm	21.7 in	<b>18</b> Rack Back Angle at Maximum Height	97°
<b>9</b> Clearance at Maximum Lift and Dump	2646 mm	104.2 in	<b>19</b> Bucket Pin Reach at Maximum Lift	320 mm 12.6 in
<b>10</b> Ground Clearance	201 mm	7.9 in	<b>20</b> Bucket rollback angle (Ground Level)	28°

\*Operating Weight, Operating Specifications and Dimensions all based on 75 kg (165 lb) operator, all fluids, one speed, OROPS (Open Roll Over Protection System), 1730 mm (68 in) low profile bucket, Cat PC 12 × 16.5 tires, standard flow hydraulics, mechanical suspension seat, no optional counterweights and manual quick coupler (unless otherwise noted).

## Power Train

Travel Speed (Forward or Reverse):

One Speed	12.4 km/h	7.7 mph
Two Speed Option	17.9 km/h	11.1 mph

## Hydraulic System

Hydraulic Flow – Standard:

Loader Hydraulic Pressure	24 130 kPa	3,500 psi
Loader Hydraulic Flow	86 L/min	23 gal/min
Hydraulic Power (calculated)	34.6 kW	46.4 hp

Hydraulic Flow – SEA High Flow::

Loader Hydraulic Pressure	24 130 kPa	3,500 psi
Loader Hydraulic Flow	113 L/min	30 gal/min
Hydraulic Power (calculated)	45.4 kW	60.9 hp

Hydraulic Flow – High Flow XPS:

Loader Hydraulic Pressure	28 000 kPa	4,061 psi
Loader Hydraulic Flow	129 L/min	34 gal/min
Hydraulic Power (calculated)	60.2 kW	80.7 hp

## Cab

Rollover Protective Structure (ROPS)	ISO 3471:2008
FOPS	ISO 3449:2005 Level I
FOPS Level II	ISO 3449:2005 Level II (Optional)

## Service Refill Capacities

Chain Box, each side	9.0 L	2.4 gal
Cooling System	11.5 L	3.0 gal
Engine Crankcase	8 L	2.1 gal
Fuel Tank	117.5 L	31.0 gal
Hydraulic System	36.8 L	9.7 gal
Hydraulic Tank	26.0 L	6.9 gal

## Weight Changes with Additional Components

**Open Cab:**

Operating Weight	3866 kg	8,523 lb
Tip Load	2867 kg	6,321 lb
ROC (50%)	1434 kg	3,160 lb

**Enclosed Cab Adds:**

Operating Weight	+59 kg	+129 lb
Tip Load	+41 kg	+90 lb
ROC (50%)	+20 kg	+45 lb

**Front Counterweight Adds:**

Operating Weight	+80 kg	+176 lb
Tip Load	-4 kg	-9 lb
ROC (50%)	-2 kg	-4 lb

**Counterweight Adds:**

Operating Weight	+125 kg	+276 lb
Tip Load	+212 kg	+467 lb
ROC (50%)	+106 kg	+234 lb

**Rear Door Guard**

Operating Weight	120 kg	264 lb
Tip Load	211 kg	466 lb
ROC (50%)	106 kg	233 lb

**Falling Object Protective Structure (FOPS) LEVEL 2 Plate**

Operating Weight	76 kg	167 lb
Tip Load	73 kg	160 lb
ROC (50%)	36 kg	80 lb

The following information applies to the machine at the time of final manufacture as configured for sale in the regions covered in this document. The content of this declaration is valid as of the date issued; however, content related to machine features and specifications are subject to change without notice. For additional information, please see the machine's Operation and Maintenance Manual.

For more information on sustainability in action and our progress, please visit <https://www.caterpillar.com/en/company/sustainability>.

## Engine

- The Cat® C2.8TA (turbo after-cooled) engine meets U.S. EPA Tier 4 Final and EU Stage V emission standards.
- Cat diesel engines are required to use ULSD (ultra-low sulfur diesel fuel with 15 ppm of sulfur or less) or ULSD blended with the following lower-carbon intensity fuels\*\* up to:
  - ✓ 20% biodiesel FAME (fatty acid methyl ester)\*
  - ✓ 100% renewable diesel, HVO (hydrotreated vegetable oil) and GTL (gas-to-liquid) fuels

Refer to guidelines for successful application. Please consult your Cat dealer or “Caterpillar Machine Fluids Recommendations” (SEBU6250) for details.

*\*Engines with no aftertreatment devices can use higher blends, up to 100% biodiesel (for use of blends higher than 20% biodiesel, consult your Cat dealer).*

*\*\*Tailpipe greenhouse gas emissions from lower-carbon intensity fuels are essentially the same as traditional fuels.*

## Air Conditioning System

- The air conditioning system on this machine contains the fluorinated greenhouse gas refrigerant R134a (Global Warming Potential = 1430). The system contains 0.85 kg of refrigerant which has a CO<sub>2</sub> equivalent of 1.216 metric tonnes.

## Paint

- Based on best available knowledge, the maximum allowable concentration, measured in parts per million (PPM), of the following heavy metals in paint are:
  - Barium < 0.01%
  - Cadmium < 0.01%
  - Chromium < 0.01%
  - Lead < 0.01%

## Sound Performance

Operator Sound Pressure Level\* 81 dB(A) (ISO 6396:2008)

Exterior Sound Power Level\*\* 101 dB(A) (ISO 6395:2008)

- Cab and ROPS are standard in North America and Europe.
  - \*The declared dynamic operator sound pressure levels per ISO 6395:2008. The measurements were conducted with the cab doors and windows closed and at 70% of the maximum engine cooling fan speed. The sound level may vary at different engine cooling fan speeds.
  - \*\*The labeled sound power level for the CE/UKCA marked configurations when measured according to the test procedure and conditions specified in European Union Directive “2000/14/EC” as amended by “2005/88/EC” and UK Noise Regulation 2001 No. 1701.

## Oils and Fluids

- Caterpillar factory fills with ethylene glycol coolants. Cat Diesel Engine Antifreeze/Coolant (DEAC) and Cat Extended Life Coolant (ELC) can be recycled. Consult your Cat dealer for more information.
- Cat Bio HYDO™ Advanced is an EU Ecolabel approved biodegradable hydraulic oil.
- Additional fluids are likely to be present, please consult the Operations and Maintenance Manual or the Application and Installation guide for complete fluid recommendations and maintenance intervals.

## Features and Technology

- The following features and technology may contribute to fuel savings and/or carbon reduction. Features may vary. Consult your Cat dealer for details.
  - Extended life coolant and long life hydraulic fluid extend maintenance intervals to reduce fluid consumption
  - Boost productivity with Cat technologies like work tool positioner, return to dig and Cat Smart Attachments
  - Save fuel with efficiency features such as foot throttle pedal and cooling system demand fan
  - Remote machine monitoring through onboard Product Link™ telematics

## Recycling

- The materials included in machines are categorized as below with approximate weight percentage. Because of variations of product configurations, the following values in the table may vary.

Material Type	Weight Percentage (%)
Steel	69.70%
Iron	12.61%
Rubber Tires	3.51%
Plastic	2.41%
Nonferrous Metal	2.34%
Other	2.33%
Fluid	1.80%
Uncategorized	1.67%
Mixed-Metal and Nonmetal	1.35%
Mixed Metal	1.35%
Lead (Batteries)	0.55%
Rubber	0.37%
Mixed Nonmetallic	0.01%
Total	100%

- A machine with higher recyclability rate will ensure more efficient usage of valuable natural resources and enhance End-of-Life value of the product. According to ISO 16714:2008 (Earth-moving machinery – Recyclability and recoverability – Terminology and calculation method), recyclability rate is defined as percentage by mass (mass fraction in percent) of the new machine potentially able to be recycled, reused or both.

All parts in the bill of material are first evaluated by component type based on a list of components defined by the ISO 16714:2008 and Japan CEMA (Construction Equipment Manufacturers Association) standards. Remaining parts are further evaluated for recyclability based on material type.

Because of variations of product configurations, the following values in the table may vary.

Recyclability – 93%

The data provided above was based on the product configuration as provided by the individual product group.

# 260 Attachments

## ATTACHMENTS

Get more from your machine with Cat attachments. Choose from a wide variety of options and tailor your machine to different tasks and conditions.

- Augers
- Backhoes
- Bale Grabs
- Bale Spears
- Blades, Grader, Box, Angle and Dozer
- Brooms, Angle, Pickup and Utility
- Brushcutters
- Buckets
- Cold Planers
- Compactors
- Fork Tines and Carriages
- Hammers
- Material Handling Arm
- Mulchers
- Nursery Forks
- Rakes, Grapple, Landscape and Power Box
- Shears
- Snow Blowers
- Snow Plows
- Snow Pushes
- Snow Wings
- Stump Grinders
- Tillers
- Trenchers
- Wheel Saws
- Smart Backhoe
- Smart Dozer Blade with Assist
- Smart Grader Blade with Assist



## MANDATORY EQUIPMENT

---

- Auxiliary Hydraulics: Standard or High Flow XPS
- Quick Coupler: Mechanical or Hydraulic
- High Visibility Seat Belt: 50 mm (2 in), 75 mm (3 in), or 3-point lap/shoulder

## PERFORMANCE PACKAGES

- Performance Package HP1: *Standard Flow Hydraulics*
- Performance Package HP3: *High Flow XPS Hydraulics*

## COMFORT PACKAGES

- Open canopy: *Cup Holder, Cell Phone Pocket, choice of vinyl seat (Mechanical Suspension, High Back/Heated/Air Ride Seat)*
- Enclosed Cab with heat and air conditioning: *Side Windows, Cup Holder, Cell Phone Pocket, choice of Seat (Mechanical Suspension, High Back/Heated Air Ride Seat, High Back/Ventilated and Heated Air Ride Seat) and Door choice (Glass or Polycarbonate)*

## TECHNOLOGY PACKAGES

- T2 – *T1 + Rear-view camera.*
- T4 – *Advanced Touchscreen Monitor, Advanced Joysticks, Push start, X-mount cell phone holder, and a Rear-view camera.*
- T5 – *T4 + 2 additional side view cameras.*

## RADIO

- *Radio, none – for open canopy machines and countries not certified for Bluetooth® technology*
- *Integrated AM/FM radio with Bluetooth technology. Includes USB port, 3.5 mm Auxiliary (AUX) input, and Bluetooth microphone. Only for use with enclosed cab. Availability varies by country.*
- *Integrated DAB+/AM/FM radio with Bluetooth technology. Includes USB port, 3.5 mm AUX input, and Bluetooth microphone. Only for use with enclosed cab. Availability varies by country.*

## PRODUCT LINK™

- *Product Link Basic series PL243*
- *Product Link Elite series PLE643*

## COOLING FAN

- *On-demand, variable speed hydraulic cooling fan*
- *On-demand, variable speed hydraulic cooling fan, with automatic and manual purge reversing operation*

## GUARDING AND SEALING PACKAGES

- *HD0 – base guarding and sealing (engine air inlet rain cap, front cab-to-frame sealing, and hydraulic fill access door)*
- *HD1 – intermediate guarding and sealing (HD0 + cab-to-frame side sealing, lockable fuel fill access door, tilt cylinder guarding, and drive line bottom guarding. Some equipment varies by region)*
- *HD2 – most comprehensive guarding and sealing (HD1 + turbo guard, exhaust stack wrap, Diesel Particulate Filter (DPF) wrap, quick disconnect guarding, fully enclosed drive line guarding, under step hydraulic lines guard cover, engine air inlet pre-cleaner. Some equipment varies by region)*

# 260 Skid Steer Loader

## STANDARD EQUIPMENT

### ELECTRICAL

- Work Tool Electrical Harness
- Heavy duty battery
- Battery disconnect with lockout feature
- 12-volt Electrical System
- 85 Ampere Alternator
- LED Work Lights
- Auto Reverse Lights
- Switch Backlighting
- Interior LED Dome Light
- Backup Alarm
- Electrical Outlet, Beacon
- Exterior Courtesy Lighting
- Automatic Work light notification flash when parking brake is released

### OPERATOR ENVIRONMENT

- Full color LCD monitor: *Creep speed control, Drive response adjustment, Implement response adjustment, Drive Power Priority adjustment, Language selection (×32), Multi-operator Anti-theft Security System and Monitoring, Maintenance schedule and reminders, Event and Diagnostic Code monitoring, Date /Time/Units/Brightness settings, and Smart Technology for use with Smart Attachments.*
- Operator Warning System Indicators: *Air Filter Restriction, Alternator Output, Armrest Raised/Operator Out of Seat, Engine Coolant Temperature, Engine Oil Pressure, Glow Plug Activation, Hydraulic Supply Filter Restriction, Hydraulic Oil Temperature, Park Brake Engaged, Engine Emission System (where applicable)*
- Gauges: *Fuel Level, Hour Meter, Hydraulic Temperature, Hour Meter, Battery Voltage, Tachometer*
- Fold In Ergonomic Contoured Armrest
- Control Interlock System, when operator leaves seat or armrest raised: *Hydraulic System Disables, Hydrostatic Transmission Disables, Parking Brake Engages*
- ROPS Cab, Tilt Up
- FOPS, Level I
- Top and Rear Windows
- Floor Mat
- Headliner
- Interior Rearview Mirror
- Horn
- Hand (Dial) Throttle, Electronic
- Seat Mounted Joystick Controls
- Cell Phone Storage Pocket
- Cup Holder
- 12-volt power port
- Foot Throttle

### HYDRAULICS

- Selectable control pattern – ISO or H
- Electro/hydraulic implement control
- Electro/hydraulic hydrostatic transmission control
- Speed sensor guarding
- Heavy duty flat faced quick disconnects with integrated pressure release lever
- Hydraulic oil level sight gauge

### POWER TRAIN

- Cat C2.8T turbocharged diesel engine, meeting Tier 4 Final and Stage V Emission Standards
  - Glow plugs starting aid
  - Liquid cooled, direct injection
- Extended life antifreeze (–37°C, –34°F)
- Air cleaner, dual element, radial seal
- Scheduled Oil Sampling (S-O-S<sup>SM</sup>) Valve, Hydraulic Oil
- Ecology drain – coolant
- Radiator coolant level sight gauge
- Radiator expansion bottle
- Filter, hydraulic supply, cartridge type
- Filter, hydraulic return, cartridge type
- Filter, canister type, engine oil
- Filter, canister type, fuel and water separator
- Radiator/hydraulic oil cooler (side-by-side)
- Spring applied, hydraulically released, parking brakes
- Hydrostatic transmission
- Lockable fuel cap
- Hydraulic demand cooling fan
- Auto engine idle

### UNDERCARRIAGE

- Torsion Suspension (4 independent torsion axles)
- Two speed travel
- Integrated tie downs on track frame (4)

### FRAME

- Machine tie down points (9)
- Removable panels for machine frame cleanout
- Support, lift arm
- Steel rear and front bumpers, welded
- Fuel fill, machine right hand side

### OTHER

- Auxiliary Hydraulics, Continuous Flow
- Telematics, Product Link, Cellular
  - Steel engine door with replaceable louvers
  - Engine door – lockable
  - Work tool attachment coupler
  - Cat ToughGuard™ hose

## OPTIONAL EQUIPMENT

---

- External Counterweights
- Beacon, LED
- Engine Block Heater – 120V
- Oil, Hydraulic, Cold Operation
- 4-point machine lifting eyes
- Paint, Custom
- Speed Sensitive Ride Control
- Bluetooth Key Security
- Attachment Hose Guide
- Corrosion Inhibitor Coating

# 260 Skid Steer Loader

---

For more complete information on Cat products, dealer services, and industry solutions, visit us on the web at [www.cat.com](http://www.cat.com)

© 2024 Caterpillar  
All rights reserved

Materials and specifications are subject to change without notice. Featured machines in photos may include additional equipment. See your Cat dealer for available options.

CAT, CATERPILLAR, LET'S DO THE WORK, their respective logos, "Caterpillar Corporate Yellow," the "Power Edge" and Cat "Modern Hex" trade dress as well as corporate and product identity used herein, are trademarks of Caterpillar and may not be used without permission.

AEHQ8488-00 (11-2024)  
(N Am, EU, Chile, Turkey,  
Colombia, S Korea)

